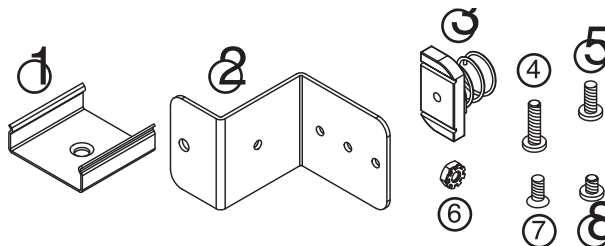


RK5039 INSTRUCTIONS

RK5039 Product Inventory

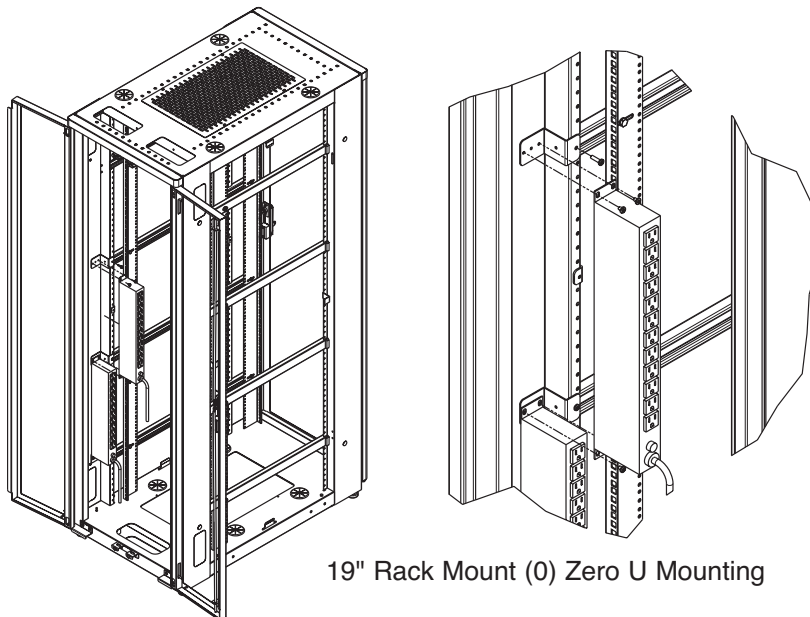
- 1 - Power Strip Mounting Clip (3)
- 2 - Power Strip Mounting Bracket (3)
- 3 - 10-32 Spring Nut (3)
- 4 - 10-32 x 3/4" Pan Head Screw (3)
- 5 - 10-32 x 1/2" Pan Head Screw (9)
- 6 - 10-32 Nut with Lock Washer (6)
- 7 - 10-32 x 3/8" Flat Head Screw (6)
- 8 - 10-32 x 1/4" Pan Head Screw (9)



Your Belkin RK5039 Power Strip Mounting Kit has been designed for 19" rack mount (0) Zero U mounting. It will also mount Wiremold vertical power strips (Wiremold units using 1 1/2" narrow aluminum housing). Enough hardware has been included to mount two rack mount PDU's or one vertical power strip.

Instructions - (0) Zero U mounting

1. Install 10-32 spring nut by holding it horizontally in the slotted horizontal, pushing and turning it clockwise into a vertical position. Repeat this step three times.
2. Install power strip mounting bracket using the 10-32 x 3/4" pan head screw.
3. Install PDU using 10-32 x 1/2" pan head screw.



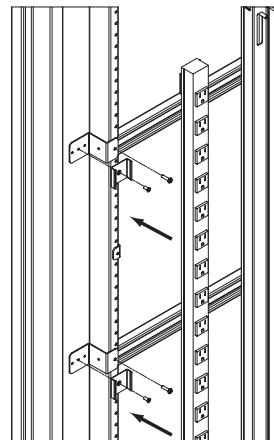
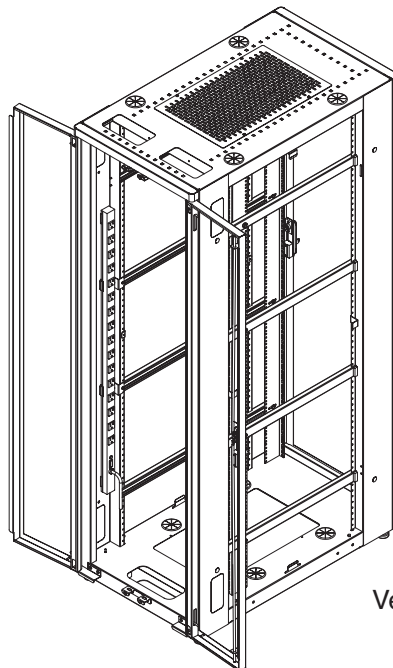
19" Rack Mount (0) Zero U Mounting

www.belkin.com
Belkin Corporation
501 West Walnut Street
Compton, CA 90220-5221, USA
Tel: 310-898-1100; Fax: 310-898-1111

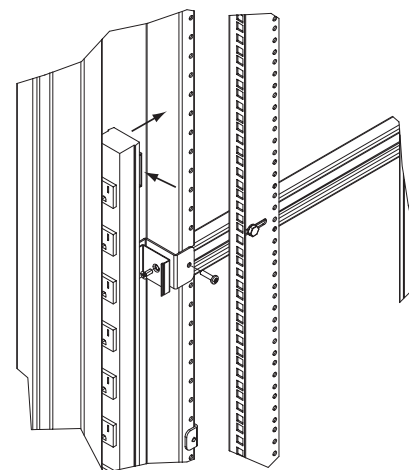
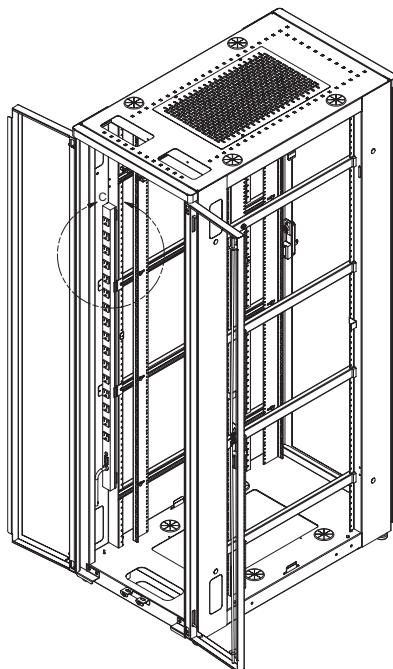
© 2005 Belkin Corporation. All rights reserved.
All trade names are registered trademarks of respective manufacturers listed.

Instructions - Vertical Power Strips

1. Install 10-32 spring nut by holding it horizontally in the slotted horizontal, pushing and turning it clockwise into a vertical position. Repeat this step three times.
2. Install power strip mounting bracket using the 10-32 x 3/4" pan head screw.
3. Install power strip mounting clip using the 10-32 x 3/8" flat head screw.
4. Snap in your vertical power strip.



Vertical Power Strip Facing Sideways



Vertical Power Strip Facing Back

Note: Power strip mounting brackets will also accept Wiremold "Snap-on/Slide-off" clips (included with Wiremold power strips) used with 2" housing.

www.belkin.com
Belkin Corporation
501 West Walnut Street
Compton, CA 90220-5221, USA
Tel: 310-898-1100; Fax: 310-898-1111

© 2005 Belkin Corporation. All rights reserved.
All trade names are registered trademarks of respective manufacturers listed.