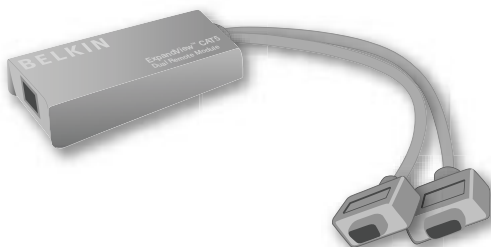


BELKIN®

ExpandView™ CAT5



Quick Installation Guide

F1DV108Aea

TABLE OF CONTENTS

Introduction	
1. What is the ExpandView™ CAT5?	1
Overview	
2. The multi-functional ExpandView™ CAT5	2
3. The ExpandView™ CAT5	3
Installation	
4. Expanding the ExpandView™ CAT5	5
5. Pre-installation instructions	5
6. The ExpandView™ CAT5 cables.....	5
The Remote Video cable	6
Connecting the CAT5 cables.....	6
Power supply.....	6
Configuration	
7. The ExpandView™ CAT5 configuration for a CBT application.....	7
8. ExpandView™ CAT5 detailed connections.....	8
9. The ExpandView™ CAT5 configuration without remote computers	9
10. Operating the ExpandView™ CAT5	10
Technical Specifications	
Technical Specifications	11

INTRODUCTION

1. What is the ExpandView™ CAT5?

The ExpandView™ CAT5 from Belkin broadcasts real-time high-resolution video signals to hundreds of remote display monitors.

The ExpandView™ CAT5 consists of the following:

- Broadcaster + Control Unit
- Line Splitters to expand the system
- Remote module that connect to each remote monitor/computer
- Dual Remote module connects 2 monitors to the system

CAT5 UTP or FTP cables connect the ExpandView™ CAT5. The Remote units can be up to 110m/360ft away from the Broadcaster.

This Quick Installation Guide illustrates the ExpandView™ CAT5 and explains how to install and operate it.

OVERVIEW

2. The multi-functional ExpandView™ CAT5

You can use the ExpandView™ CAT5 in the following ways:

(A) Without the Control Unit

The ExpandView™ CAT5 constantly broadcasts a computer screen to all remote monitors.

(B) With the Control Unit

- Broadcast a computer screen to all remote monitors
- Darken all remote screens
- Release the remote screens to allow local monitor viewing (when remote computers are connected).

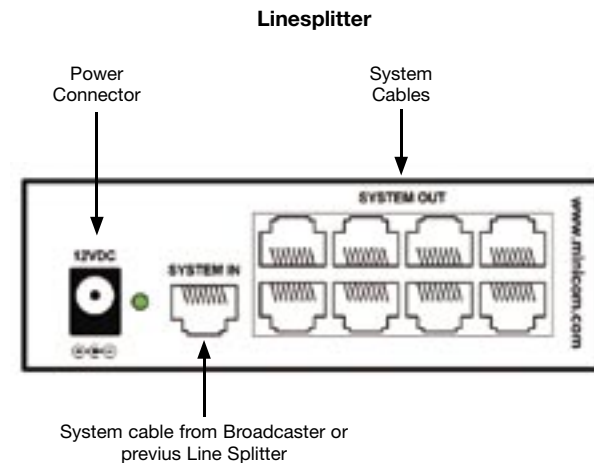
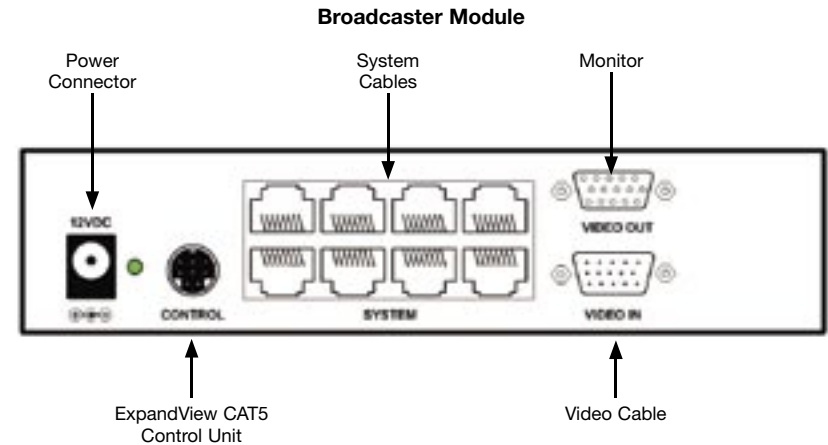
The screen dark function is useful when carrying out maintenance, changing the broadcast program or in a classroom environment to grab students' attention.

With both applications broadcast the video up to resolutions of 1600 x 1200 @ 75Hz depending on the cable length.

OVERVIEW

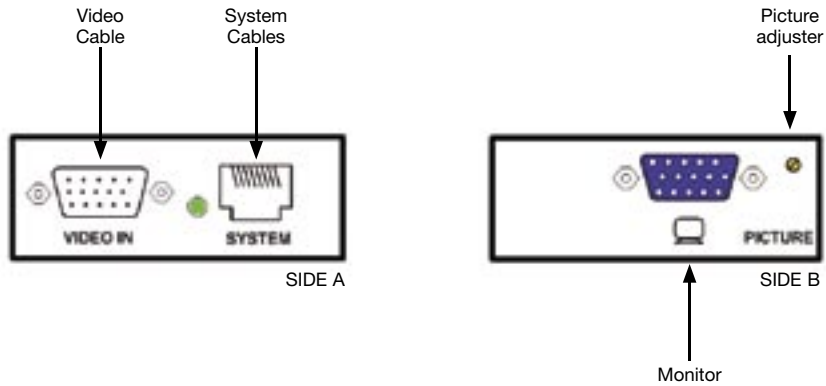
3. The ExpandView™ CAT5

The figures below illustrate the Broadcaster module, Line Splitter, Remote module and Dual Remote module.

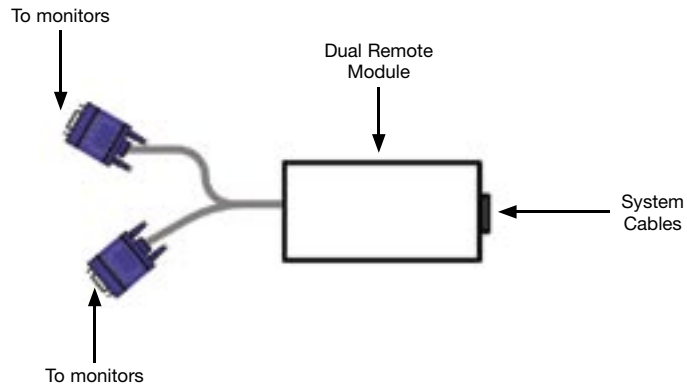


OVERVIEW

Remote Module



Dual Remote Module



INSTALLATION

4. Expanding the ExpandView™ CAT5

You can expand the ExpandView™ CAT5 to 512 Remote modules by having 2 levels of Line Splitters. Level 1 Line Splitters can have 8 Remote modules or Line Splitters connected. Level 2 Line Splitters can have 8 Remote modules connected. (See page 7).

5. Pre-installation instructions

Note! In the ExpandView™ CAT5 the CAT5 UTP or FTP cables carry electrical power. Therefore do **NOT** connect them to any other device. To avoid this we recommend you attach the stickers provided to the ends of each cable. Place cables away from fluorescent lights, air conditioners and machines that are likely to generate electrical noise.

6. The ExpandView™ CAT5 VGA video cables

The Video cable is illustrated below. Connect the cable as explained.

Broadcaster & Remote Video cable



INSTALLATION

The Remote Video cable

The Remote Video cable is only used with the Remote module when the Dongle is connected to a computer.

Connecting the CAT5 cables

Please note! Connect the CAT5 cables to the Broadcaster and Line Splitter modules when the modules are powered off. We recommend that you connect the CAT5 cables **BEFORE** connecting the power supply.

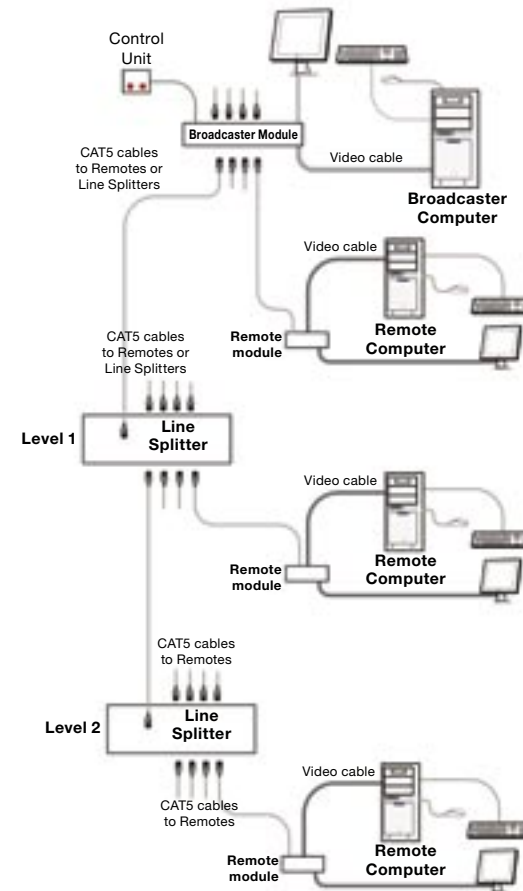
Power supply

Connect the Broadcaster and Line Splitters to the power supply with the 12 VDC, 2A from the AC/DC adapter provided. The Remote modules and the Dual Remote module receive 12 VDC, 160 mA via the CAT5 cables from the Broadcaster or Line Splitter.

CONFIGURATION

7. The ExpandView™ CAT5 configuration for a CBT application

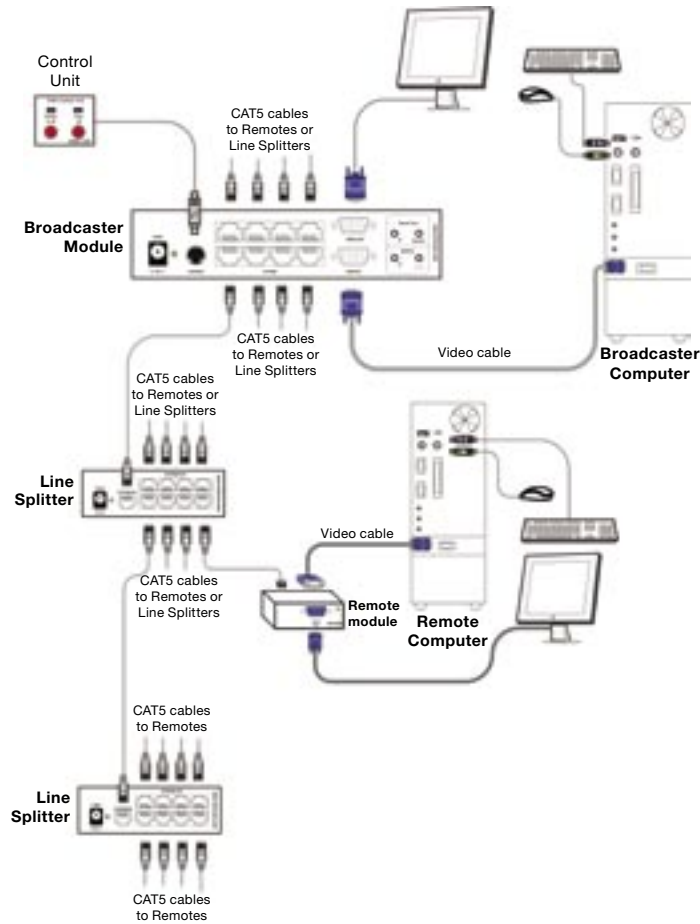
The figure below illustrates the ExpandView™ CAT5 configuration with the ExpandView™ CAT5 Control Unit and the optional remote computers. The Dual Remote module has no VGA input and is therefore not suitable for CBT applications.



CONFIGURATION

8. ExpandView™ CAT5 detailed connections

The figure below illustrates the detailed connections of the ExpandView™ CAT5.



CONFIGURATION

9. The ExpandView™ CAT5 configuration without remote computers

The figure below illustrates the ExpandView™ CAT5 configuration without optional computers connected to the Remote modules and the Dual Remote module. Connect the Broadcaster and Line Splitters as in figure 1. Figure 2 illustrates the detailed connections of the Remote module.

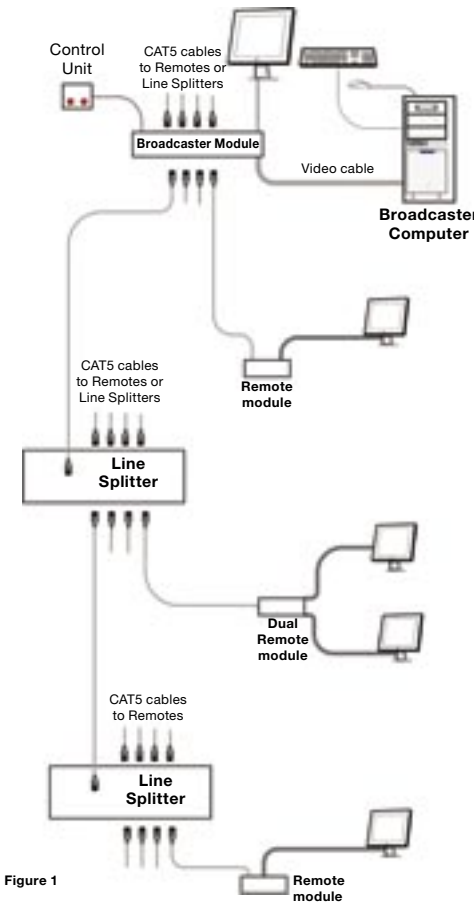


Figure 1

Remote Module

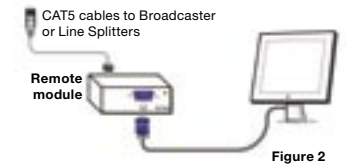


Figure 2

Dual Remote Module

Instead of the Remote module, use the Dual Remote Module to connect 2 screens to the Broadcaster or Line Splitter via CAT5 cable. The 2 screens display the images broadcast by the Broadcaster computer.

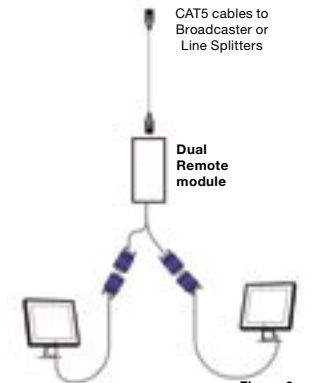


Figure 3

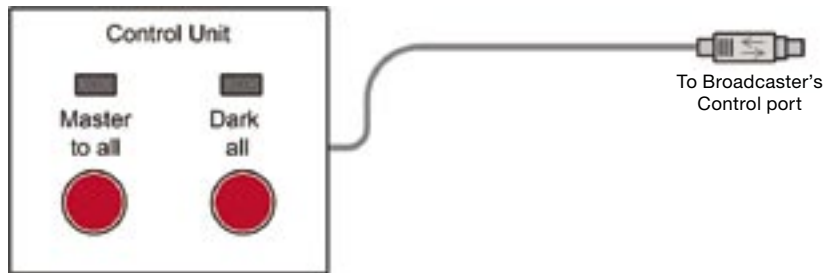
CONFIGURATION

10. Operating the ExpandView™ CAT5

Once connected, the ExpandView™ CAT5 broadcasts to all remote monitors.

The Control Unit

The Control Unit is illustrated below



With the ExpandView™ CAT5 Control Unit carry out the following functions:

Master to all

Press the **Master to all** button to send the broadcaster's screen to all remote monitors. The LED above the button lights up.

Press the button again to release the remote monitors.

Dark all

Press the **Dark all** button to darken all remote screens. The LED above the button lights up.

Press the button again to release the remote screens.

11. Adjusting the picture quality

Use a small screwdriver to turn the Picture adjuster on the Remote module to adjust the picture quality.

TECHNICAL SPECIFICATIONS

SYSTEM	
Resolution	Up to 1600x1200 @ 75 Hz
System cable	CAT5 UTP or FTP 2x4x24 AWG Solid Wire Conductor cable
Max distance	110m/360ft
Input/Output Video Signals	Analog signal red, green, blue 0.7v p-p 75 Ohm
Sync.	TTL compatible
Horizontal/Vertical Sync. Polarity	Positive/Negative
Operating temperature	0°C to 40°C/32°F to 104°F
Storage temperature	-40°C to 70°C/-40°C to 158°F
Humidity	80% non condensing relative humidity
Warranty	3 Years

	BROADCASTER MODULE	LINE SPLITTER	REMOTE MODULE
Cables & Connectors	VGA In - HDD15M	System In - RJ45	System In - RJ45
	VGA Out - HDD15F	System Out - RJ45	CPU VGA - HDD15M
	System Out - 8 Ports RJ45		Screen - HDD15F
	Control - MiniDin8F		
Dimensions	175 x 96 x 42mm/ 0.57 x 0.38 x 0.14ft	118 x 96 x 42mm/ 0.39 x 0.38 x 0.14ft	78 x 62 x 23mm/ 0.31 x 0.26 x 0.07ft
Power supply	External Power Adapter 12VDC 2A	External Power Adapter 12VDC 2A	From previous unit through CAT5 cable
DUAL REMOTE MODULE			
Cables & Connectors	System In - RJ45		
	Screen x 2 - HDD15F		
Power supply	From previous unit through CAT5 cable		

BELKIN®

ExpandView™ CAT5

BELKIN®

www.belkin.com

Belkin Ltd.
Express Business Park
Shipton Way, Rushden
NN10 6GL, United Kingdom
+44 (0) 1933 35 2000
+44 (0) 1933 31 2000 fax

Belkin B.V.
Boeing Avenue 333
1119 PH Schiphol-Rijk
The Netherlands
+31 (0) 20 654 7300
+31 (0) 20 654 7349 fax

Belkin GmbH
Hanebergstraße 2
80637 Munich
Germany
+49 (0) 89 143405 0
+49 (0) 89 143405 100 fax

Belkin Tech Support
Europe: 00 800 223 55 460

Belkin SAS
130 rue de Silly
92100 Boulogne-Billancourt
France
+33 (0) 1 41 03 14 40
+33 (0) 1 41 31 01 72 fax

Belkin Nordic
Knarrarnäsgratan 7
164 40 Kista
Sweden
+46 (0) 8 5229 1870
+46 (0) 8 5229 1874 fax

Belkin Iberia
Avda. Cerro del Aguila 3
28700 San Sebastián de los Reyes
Spain
+34 (0) 9 16 25 80 00
+34 (0) 9 02 02 00 34 fax