

I. Introduction

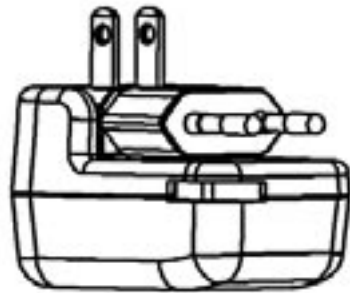
Thank you for purchasing the Belkin Universal AC Travel Adapter. This innovation makes it convenient for you to connect your devices to virtually any AC power source in the world — without adding country-specific adapters.

The Travel Adapter from Belkin includes our patented, integrated World AC Plug that works in many countries the world over, including: England, Europe, North America, South America, China, Asia, Australia, and New Zealand.

II. Operation Instructions

(North America)

1. Locate the button/latch at the base of the Travel Adapter where the North American and Australian plugs are embedded (see illustration).



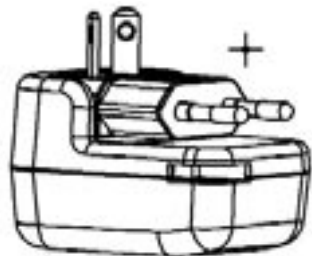
2. Press the release button that frees the North American/Australian plug from its embedded position. Continue to push the North American plug upward until it locks into a 90-degree position.

CAUTION: For safe and proper use, make sure that the North American plug locks into a 90-degree angled position. If, for some reason, it does not lock into place, do not use the Adapter. Return it to your purchase location in the original packaging.

3. You may now plug any portable device from around the world into the open slots provided on the side opposite of the North American, Australian, UK, and Euro plugs.

(Australia/New Zealand)

1. Locate the black button/latch at the base of the Travel Adapter where the North American plug is embedded.



2. Press the release button that frees the North American plug from its embedded position. Continue to push the North American plug upward until it locks into a 90-degree position.

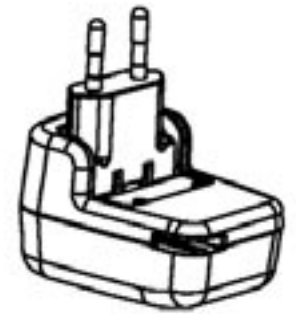
CAUTION: For safe and proper use make sure that the North American plug locks into a 90-degree angled position. If for some reason it does not lock into place, do not use the adapter. Return it to your purchase location in the original packaging.

3. Twist the North American plug on the left side in a clockwise direction until it reaches a 45-degree angled position. Twist the North American plug on the right side in a counter-clockwise direction until it reaches a 45-degree angled position.

4. Insert the North American/Australian plug into the wall outlet.

(Europe/Asia)

1. Locate the Euro plug on the same side as the North American plug. Grasp the end of the Euro plug and pull it up until it locks into a 90-degree angled position.

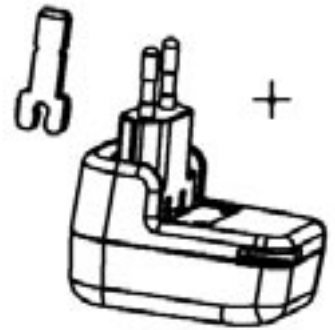


CAUTION: For safe and proper use, make sure that the North American plug locks into a 90-degree angled position. If for some reason it does not lock into place, do not use the Adapter. Return it to your purchase location in the original packaging.

2. Insert the Euro plug into the now-opened power socket on the wall outlet.

(United Kingdom)

1. Locate the Euro plug on the same side as the North American plug. Grasp the end of the Euro plug and pull it up until it locks into a 90-degree angled position.



CAUTION: For safe and proper use, make sure that the North American plug locks into a 90-degree angled position. If for some reason it does not lock into place, do not use the Adapter. Return it to your purchase location in the original packaging.

2. Pull the UK key from its position on the side of the unit.
3. First insert the UK key into the ground socket of the wall outlet. This action will open the two top power sockets. Now insert the Euro plug into the now opened power sockets on the wall outlet.
4. You may now plug any portable device from around the world into the open slots provided on the side opposite of the North American, Australian, UK, and Euro plugs.

NOTE: When you have completed your work on your computer reattach the UK key to the iAdapt power cable.

NOTE: This unit does not convert voltage.

III. Certifications

- CE

IV. Specifications

Dimensions: 63.5 (L) x 49 (W) x 40.5mm(H)

Weight: 60g

Input Voltage: 100 to 240 VAC

BELKIN

Universal AC Travel Adapter

Charge your mobile devices with a global power solution



User Manual
F8E449

CE Declaration of Conformity

We, Belkin Corporation, declare under our sole responsibility that the F8E449, to which this declaration relates, is in conformity with Generic Emissions Standard EN 55022 and with Generic Immunity Standard EN 55024 and LVD 1998.

Belkin Components Limited Lifetime Product Warranty

Belkin Components warrants this product against defects in materials and workmanship for its lifetime. If a defect is discovered, Belkin will, at its option, repair or replace the product at no charge provided it is returned during the warranty period, with transportation charges prepaid, to the authorized Belkin dealer from whom you purchased the product. Proof of purchase may be required.

This warranty does not apply if the product has been damaged by accident, abuse, misuse, or misapplication; if the product has been modified without the written permission of Belkin; or if any Belkin serial number has been removed or defaced.

THE WARRANTY AND REMEDIES SET FORTH ABOVE ARE EXCLUSIVE IN LIEU OF ALL OTHERS, WHETHER ORAL OR WRITTEN, EXPRESSED OR IMPLIED. BELKIN SPECIFICALLY DISCLAIMS ANY AND ALL IMPLIED WARRANTIES, INCLUDING, WITHOUT LIMITATION, WARRANTIES OF MERCHANTABILITY AND FITNESS FOR A PARTICULAR PURPOSE.

No Belkin dealer, agent, or employee is authorized to make any modification, extension, or addition to this warranty.

BELKIN IS NOT RESPONSIBLE FOR SPECIAL, INCIDENTAL, OR CONSEQUENTIAL DAMAGES RESULTING FROM ANY BREACH OF WARRANTY, OR UNDER ANY OTHER LEGAL THEORY, INCLUDING BUT NOT LIMITED TO LOST PROFITS, DOWNTIME, GOODWILL, DAMAGE TO OR REPROGRAMMING, OR REPRODUCING ANY PROGRAM OR DATA STORED IN OR USED WITH BELKIN PRODUCTS.

Some states do not allow the exclusion or limitation of incidental or consequential damages or exclusions of implied warranties, so the above limitations of exclusions may not apply to you. This warranty gives you specific legal rights, and you may also have other rights that vary from state to state.



belkin.com

Belkin Corporation

501 West Walnut Street
Compton • CA • 90220 • USA
Tel: 310.898.1100
Fax: 310.898.1111

Belkin Components, Ltd.

Express Business Park
Shipton Way • Rushden • NN10 6GL
United Kingdom
Tel: +44 (0) 1933 35 2000
Fax: +44 (0) 1933 31 2000

Belkin Components B.V.

Starparc Building • Boeing Avenue 333
1119 PH Schiphol-Rijk • The Netherlands
Tel: +31 (0) 20 654 7300
Fax: +31 (0) 20 654 7349

Belkin Components, Ltd.

7 Bowen Crescent • West Gosford
NSW 2250 • Australia
Tel: +61 (0) 2 4372 8600
Fax: +61 (0) 2 4372 8603

Tech Support

US: 310.898.1100 ext. 2263
800.223.5546 ext. 2263
Europe: 00 800 223 55 460
Australia: 1-800-666-040

Country	Hz	Volt	Code	Country	Hz	Volt	Code	Country	Hz	Volt	Code	Country	Hz	Volt	Code	Socket	Plug
Taiwan	60	110	A	Fiji	50	240	C	Canada	60	120	A.D.	Belize	60	110/220	A.D.	Type C	Type C
Hong Kong	50	200	B	Tahiti	50	127	A	U.S.A.	60	120	A	Cuba	60	110	A.B.D.		
Mainland China	50	110/200	A,B,C,D	The Netherlands	50	220	B	Alaska	60	120/240	A	Dominican Rep.	60	110	A		
Macao	50	115/127/220	B	Belgium	50	127/220	B	Costa Rica	60	120/240	A	Egypt	50	220	B.D.		
Korea	60	100/220	A,B,C	Luxemburg	50	120/220	B	Nicaragua	60	120	A	Kenya	50	240	B.D.	Type A	Type A
Japan	50/60	100	A	West Germany	50	220	B	Venezuela	60	120	A	Zambia	50	230	D		
Philippines	60	115/200	A,B,C	East Germany	50	127/220	B	Bolivia	50	110/220	A,B	Morocco	50	115/127/220	B		
Vietnam	50	120/220/230	A,B	France	50	127/220	B,C	El Salvador	60	115	A	Mauritius	50	230	B.D.		
Singapore	50	230	D	Denmark	50	220	B	Colombia	60	110	A	Nigeria	50	230	D		
Indonesia	50	127/230	B	Finland	50	220	B	Guatemala	60	120	A	R.S.A.	50	220/230/250	B.D.		
Malaysia	50	240	D	Norway	50	220/230	B	Argentina	50	220	B,D						
Brunei	50	240	B,D	Sweden	50	220	B	Uruguay	50	220	B,D						
Thailand	50	220	A,B,D	Switzerland	50	220	B	Paraguay	50	220	B						
India	50	230	B	Austria	50	220	B	Brazil	60	127/220	A,B						
Nepal	50	220	B	Hungary	50	220	B	Peru	60	220	A,B						
Bangladesh	50	230	B	Czechoslovakia	50	220	B	Chile	50	220	B						
Pakistan	50	220/230	B	Poland	50	220	B	Panama	60	110/115/220	A						
Jordan	50	220	B,D	U.S.S.R.	50	127/220	A,B	Belize	60	110/220	A.D.						
Iran	50	220	B,D	Romania	50	220	B	Cuba	60	110	A.B.D.						
Iraq	50	220	B,D	Bulgaria	50	220	B	Dominican Rep.	60	110	A						
Turkey	50	220	B	Yugoslavia	50	220	B	Africa									
Kuwait	50	240	B,D	Greece	50	220	B	Egypt	50	220	B.D.						
Saudi Arabia	50/60	127/220	A,B,D	Italy	50	127/220	B	Kenya	50	240	B.D.						
U.A.E.	50	220/230/240	B,D	Spain	50	127/220	A,B	Zambia	50	230	D						
Australia	50	240/250	C	Portugal	50	220	B	Morocco	50	115/127/220	B						
New Zealand	50	230	C	England	50	240	C,D	Mauritius	50	230	B.D.						
				Malta	50	240	D	Nigeria	50	230	D						
								R.S.A.	50	220/230/250	B.D.						