

XM AUDIO SYSTEM



What's in the box?



Let's get started

Grab either your Delphi RoadyXT or your Audiovox Xpress, or any other XM Audio System compatible product



1 To open the door to the docking station push the 3 bumps on the front below the clear window



2 Adjust the rubber bumper on the door for your receiver. It comes in the RoadyXT orientation and can be attached one of two ways depending on the receiver you use.

To change the orientation of the rubber bumper slide it off and flip it upside down. Press it firmly back into place.

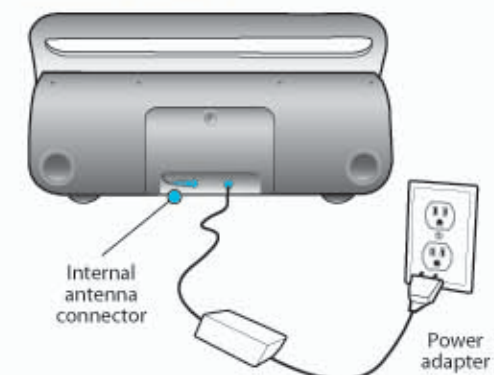


3 Place your receiver into the docking station.



4 Close the docking station door once your receiver is in place

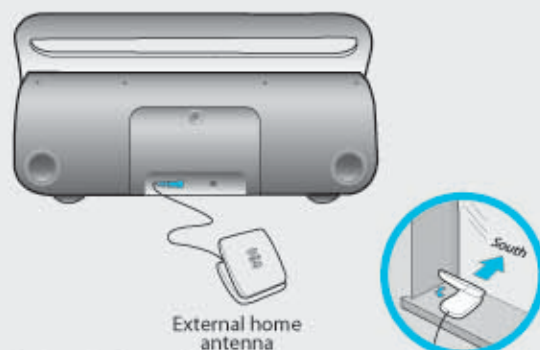
Home setup



5a Plug the power adapter connector into the jack labelled "12V DC" and then to any 110 - 120V wall outlet or power source. The internal antenna will already be connected

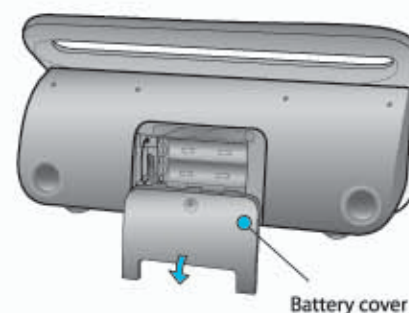
Optional External Home Antenna Setup

Your particular indoor installation may require the use of an optional XM home antenna available from retailers or online at <http://shop.xmradio.com>

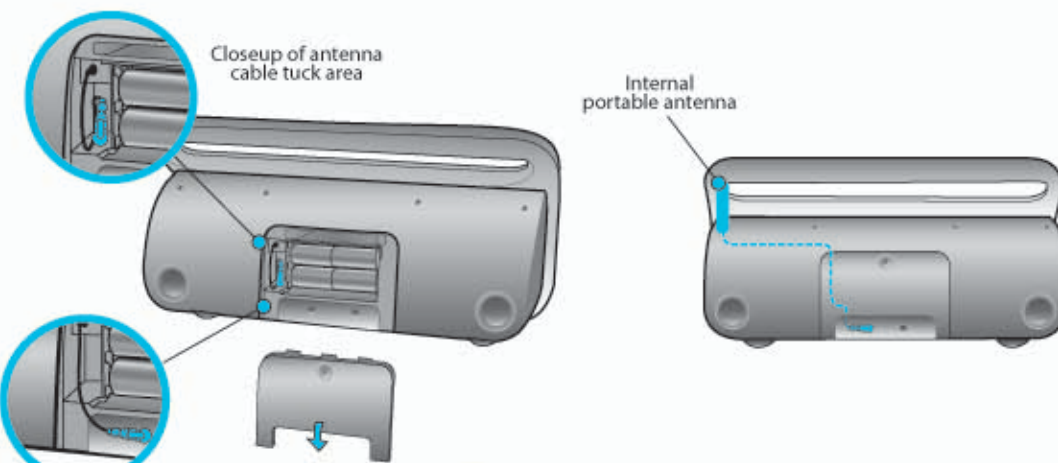


5b Unplug the internal antenna connector, then plug the external home antenna connector into the jack labelled "Antenna." Place the antenna near a South facing window whenever possible for best results. See receiver User Guide for additional information.

Portable setup



6a Slide the battery cover off and insert 8 C cell batteries. Look for the + or - symbols to put the batteries in correctly. Remember that the flat side of the battery rests against the spring.

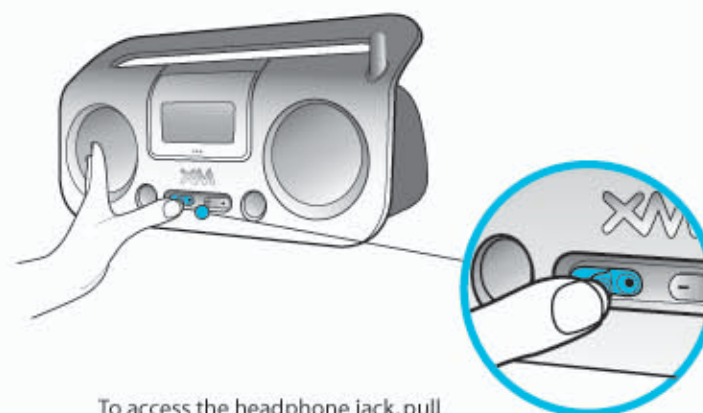
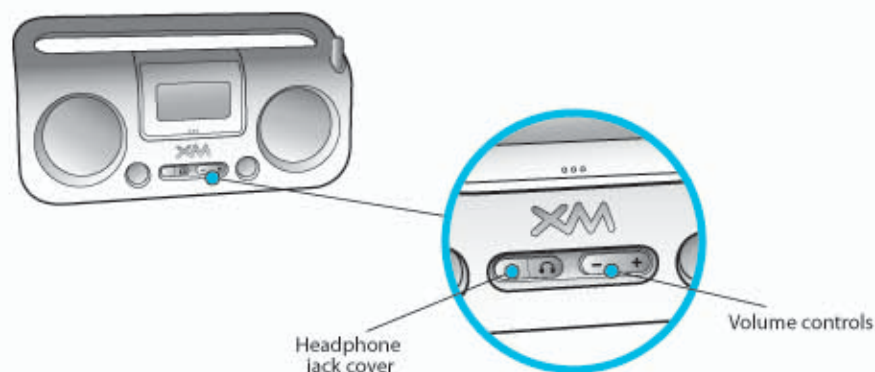


Make sure cable aligns with notch in battery cover

6b The internal antenna's connector and cable will be tucked away behind the battery cover. When sliding the battery cover into place be sure the cord exits through the small notch.

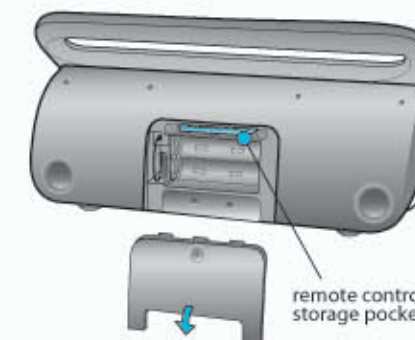
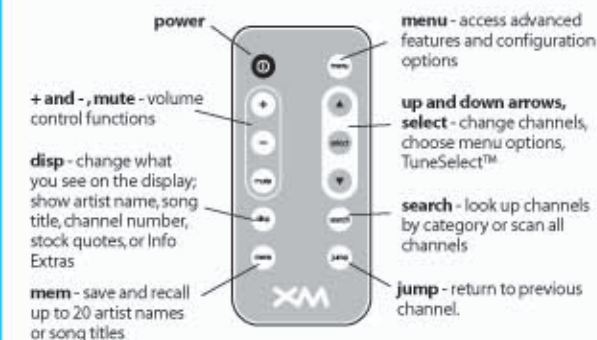
Things to know

Headphone use and volume controls



To access the headphone jack, pull open the rubber cover as shown. Plug in your headphones.

XM Audio System Remote



remote control storage pocket