

Pro 2 | Daisy-Chain Process

All Pro 2 KVMs offer **dedicated daisy-chain (or cascade) ports** in order that they can be connected to additional units as and when the demand for more server support increases.

A **male-male DB25 (bi-directional switch box) cable** is used as a daisy-chain cable to connect units together. Pro 2 units can be daisy-chained with other Pro2 and Pro2 PS2, SMB, SE Plus and even older Pro and SE units.

Larger units should always be master to smaller slaves. The first two units are **ALWAYS** cabled using the same port. The **'Master Input/Slave Output'** port is used on the slave, because the 'slave' unit 'outputs' its data to the Master. The same 'Master Input/Slave Output' port is used on the Master unit, because the 'master' unit accepts the 'input' of the slave. **A Pro2 (PS2 and USB) unit should always be the master to a Pro 2 pure PS2 slave.**

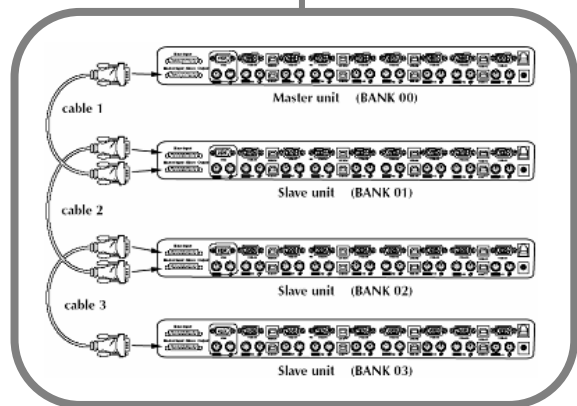
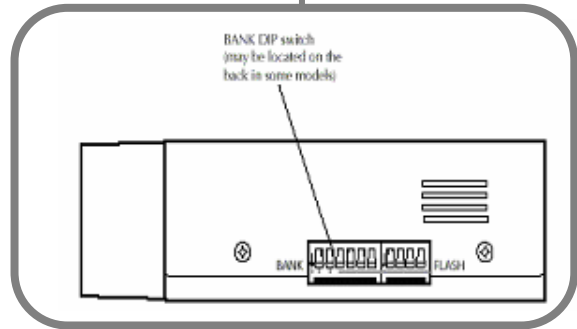
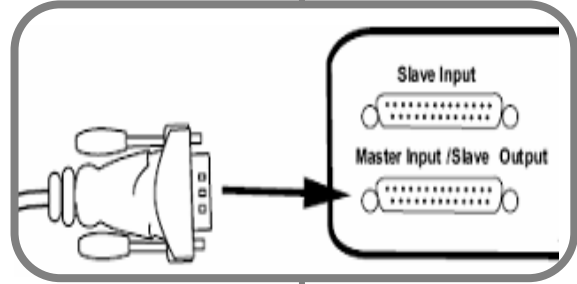
Additional units are then connected using the 'Slave Input' port to the 'Master Input/ Slave Output' ports.

So that each Pro2 knows its place within the daisy-chain, **DIP switches** are set on each device indicating its **slave or master** status (see chart below).

Each KVM should display a unique **'bank' number** - '00' for the master, then '01' for the first slave, '02' for the second and so on.

DIP SWITCH#						BANK ADDRESS
1	2	3	4	5	6	
ON	ON	ON	ON	ON	ON	BANK 00 MASTER (default)
ON	ON	OFF	ON	ON	ON	BANK 01 SLAVE
ON	ON	ON	OFF	ON	ON	BANK 02 SLAVE
ON	ON	OFF	OFF	ON	ON	BANK 03 SLAVE
ON	ON	ON	ON	OFF	ON	BANK 04 SLAVE
ON	ON	OFF	ON	OFF	ON	BANK 05 SLAVE
ON	ON	ON	OFF	OFF	ON	BANK 06 SLAVE
ON	ON	OFF	OFF	OFF	ON	BANK 07 SLAVE
ON	ON	ON	ON	ON	OFF	BANK 08 SLAVE
ON	ON	OFF	ON	ON	OFF	BANK 09 SLAVE
ON	ON	ON	OFF	ON	OFF	BANK 10 SLAVE
ON	ON	OFF	OFF	ON	OFF	BANK 11 SLAVE
ON	ON	ON	ON	OFF	OFF	BANK 12 SLAVE
ON	ON	OFF	ON	OFF	OFF	BANK 13 SLAVE
ON	ON	ON	OFF	OFF	OFF	BANK 14 SLAVE
ON	ON	OFF	OFF	OFF	OFF	BANK 15 SLAVE

Please Note | 'On' is the down position



Troubleshooting |

Issues related to daisy-chaining such as 'no video on the slave machines' usually is a result of Customers' cabling from the 'Master Input' port on the Master to the 'Slave Input' port on the Slave. You cannot run from 'Input' to 'Input'.