

## IMPORTANT

First, please make sure your PlayStation is turned off before plugging in or unplugging your controller.

## FEATURES

- Built-in force feedback (Dual Shock™ and Dual Shock™ 2 compatible)
- Full analog, digital, or steering wheel simulation mode selector with LED indicator
- Dual analog joysticks with push-down buttons (L3, R3)
- 12 analog action buttons in full analog support
- Macro button for programming functions to button combinations

- Innovative 8-way directional pad.

## NOTES

- The controller can be used with any software which displays the "Analog Controller Compatible", "Dual Shock 2 Compatible" or "NeGcon Compatible" icons.
- The built-in force feedback can be used with any software which displays the "Vibration Function Compatible" icon. (The vibration function can be turned on or off using your game's "Option" controls.)

## PLAY MODE SELECTION

The controller features three modes of function: Digital, Full Analog, and Steering Wheel Simulation.

The mode LED light on your controller will indicate the mode of use in the following manner:

- Digital Mode (Mode LED is OFF)
- Full Analog Mode (Mode LED is ON)
- Steering Wheel Mode (Mode LED is BLINKING)

## FULL ANALOG MODE

Full Analog Mode is available with games displaying "Analog Controller Compatible" and "Dual Shock 2 Compatible" icons.

- To use the Full Analog Mode, press the MODE button until the mode LED is turned on. You are now in Full Analog Mode.

- The pressure force for the analog action buttons can be adjusted in certain games by using "Option" controls.
- In "Analog Controller Compatible" PlayStation games, the controller will act only as a "Dual Shock controller". Therefore, there is no analog function for the action buttons.

## DIGITAL MODE

Note: Digital Mode is only available with certain games. Refer to your game manual.

- To use the Digital Mode, press the MODE button until the Mode LED light is turned off. You are now in Digital Mode.

## STEERING SIMULATION MODE

Press MODE button until the Mode LED light begins to blink. You are now in Steering Wheel Simulation Mode.

## Notes:

- While in this mode, this controller will emulate an Analog Steering Wheel. All movements to the Left Analog Stick will emulate steering, while the Right Analog Stick will serve as both gas and brake pedals.
- Refer to your game manual for additional information regarding the location and setting of button functions required for game play.

## MACRO FUNCTION

The Nostromo p45 has a Macro Button. This button is for use in certain games, mainly fighting games, where you can combine button presses on the directional pad and/or the action buttons to execute special moves. Macro functionality allows you to use additional functions with a single button press, giving you the advantage you need to win.

## RECORDING MACROS:

Macros can be set to the T4, L3, T2, and R3 buttons. Up to 15 button presses can be programmed into one macro. When programming macros, keep in mind that pressing multiple buttons simultaneously counts as one single command (pressing directional left, circle,

and square at the same time will count as one command, not three). Button presses must be executed within 1.5 seconds of each other to be stored in the macro.

## DELAY:

Some combos require a delay between commands. Pressing SELECT will record a delay. A delay does not count as one of the fifteen programmable button presses.

## HOLD:

In some combos, you need to hold the button (or direction) down for a period of time. To do this, hit the button twice, or as many times as necessary.



**Belkin Components**  
 501 West Walnut Street  
 Compton • CA • 90220 • USA  
 Tel: 310.898.1100  
 Fax: 310.898.1111

**Belkin Components, Ltd.**  
 Unit 13 • Gatelodge Close • Round Spinney  
 Northampton • NN3 8RX • United Kingdom  
 Tel: +44 (0) 1604678300  
 Fax: +44 (0) 1604678330

**Belkin Components B.V.**  
 Diamantlaan 8 • 2132 WV  
 Hoofddorp • The Netherlands  
 Tel: +31 (0) 235698765  
 Fax: +31 (0) 235612694

**Belkin Components, Ltd.**  
 7 Bowen Crescent • West Gosford  
 NSW 2250 • Australia  
 Tel: +61 (2) 43254666  
 Fax: +61 (2) 4325 4277

© 2001 Belkin Components. All rights reserved. All trade names are registered trademarks of respective manufacturers listed.

**DOUBLE TAP:**  
 To record a DOUBLE TAP, press the selected button, then SELECT, then the selected button again.

**PROGRAMMING MACROS:**

1. Press the MACRO button until the MACRO LED is on.
2. If necessary, adjust the macro speed. See next section.
3. Choose a button to assign the macro and press that button (MACRO LED is flashing).
4. Press the commands for the macro. Be careful to press them in order and with the time delays, if necessary.

5. Press the MACRO button again to finish recording the MACRO (MACRO LED is off).

**MACRO SPEED:**

There are Two Macro Speeds:

1. Fast, which is the default.
2. Slow

Macro speed is controlled by pressing the MACRO button, then the directional pad. Pressing MACRO, then UP will increase the speed and pressing MACRO, then DOWN will decrease the speed. The MACRO LED will flash slower or faster according to the programmed speed.

Most games default speed is fast. To decrease the speed,

adjust the macro speed before programming the macro.

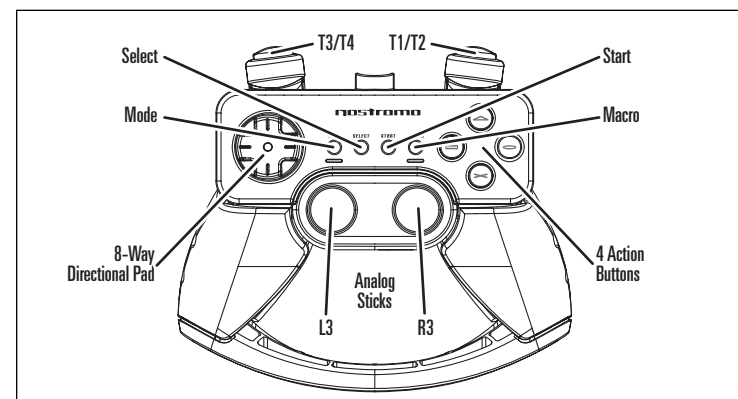
**MACRO EXAMPLE**  
 DEAD OR ALIVE 2

Character: Jann Lee

Special Move: °°P°K

Macro Setting Sequence:

1. Press Macro Button; Macro LED is ON
2. Press the desired Macro Button, L3 for example; Macro LED will flash
3. Press D-pad Right
4. Press Select Button
5. Press D-pad Right
6. Press Triangle Button



7. Press D-pad Down
8. Press Circle Button
9. Press Macro Button; Macro LED will be off
10. Pressing L3 will execute the Special Move



Tested to comply with FCC standards. For home or office use.

**Installation  
 Instructions  
 for  
 Nostromo p45  
 Game  
 Controller**

P73535

F8GBPS003

