

INTRODUCTION

Thank you for purchasing a Belkin Uninterruptible Power Supply (UPS). Each year, several natural and man made occurrences put the power supplied to your electronics in your home or office in jeopardy. At risk are your hardware, software and data because of these power problems.

IMPORTANT SAFETY INSTRUCTIONS

TUV Safety Instruction

- Please observe the following precautions to ensure personnel safety and reliable equipment observation:
- The sound pressure level at the operator's position according to IEC 704-1:1982 is equal to or less than 70dB(A).

For installation:

- The equipment is operator installable and can be operated by any individual with no previous training.
- Upon installation, it should be ensured that the sum of leakage current of the UPS and the connected equipment does not exceed 3.5mA.
- The socket outlet should be located near the equipment and easy to access.

Other safety instructions:

- The UPS contains electrical voltage, which makes it potentially hazardous. Qualified service personnel should perform all repairs. The UPS has its own internal energy source (battery). The output receptacles may be alive even when the UPS is not connected.
- When replacing batteries, always use the same type and quantity as the previous one. Battery type for 800VA/1000VA: GP1272F2 (CSB) x2, BP7-12 (BB) x2, CP1270 (VISION) x2, RT1270 (RITAR) x2; Battery type for 1200VA: GP1272F2 (CSB) x 2, BP7-12 (BB) x 2, BP7.5-12 (BB) x 2 CP1270 (VISION) x 2, CP1270H (VISION) x 2, RT1270 (RITAR) x 2.
- Do not dispose the battery or batteries in fire as they may explode..
- Do not open or mutilate the battery or batteries as released electrolyte is toxic and harmful to skin and eyes.
- A battery can present a risk of electric shock and high short circuit current. The following precautions should be observed when working on batteries:
 - Remove watches, rings, or other metal objects.
 - Use tools with insulated handles.
 - Fully trained personnel should maintain the battery.

EC Conformity Declaration

The devices comply with the following regulatory guidelines:

- 73/23/EEC guideline of the Council for Approximation of the Legal Regulations of the EC Countries concerning the electrical apparatus within certain voltage tolerances modified by the guideline RL 93/68/EEC of the Council.
- 89/336/EEC guideline of the Council for Approximation of the Legal Regulations of the EC Countries concerning the electromagnetic compatibility, modified by the guidelines RL 91/236/EEC and 93/68/EEC of the Council.

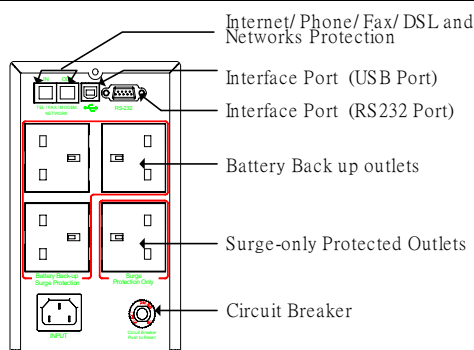
The compliance with the following standards provides the conformity:
EN 50091-1-1
EN 55022, class B

CONTENTS

You should have received the following:

- 1 – UPS unit
- 1 – Bulldog Plus Shutdown Software
- 1 – USB Cable
- 1 – Serial Cable
- 1 – Phone Line Cable

REAR PANEL



INTERNET/PHONE/FAX/DSL/NETWORK PROTECTION

The internet/phone/fax/DSL/network lines are surge protected and provide complete safety for line connection.

INTERFACE PORTS

The UPS provides both a USB and RS232 port for use with your computer. **NOTE: Choose one port only.**

BATTERY BACK UP OUTLETS

Only data sensitive equipment such as a computer, monitor and external drive should be plugged into these outlets. Battery power is automatically provided in case of a power outage. Power (AC or battery) is not supplied to these outlets when the UPS is switched off. (Do not plug surge protectors or power strips into the battery back up outlets).

SURGE-ONLY PROTECTED OUTLETS

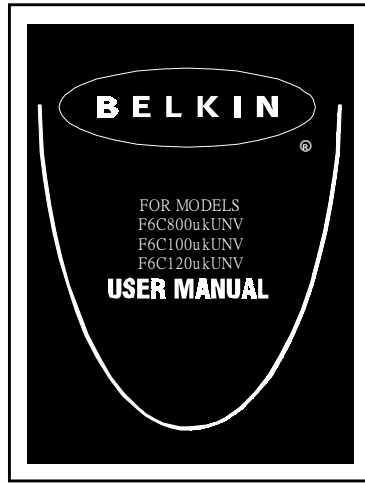
Equipment such as a printer, fax machine, scanner, or a desk lamp can be plugged into these outlets. These outlets do not provide power during a power outage. These outlets are always on (when AC power is available) & are not controlled by the front panel switch.

CIRCUIT BREAKER

The circuit breaker button will be triggered if an overload condition forces the UPS to disconnect itself from utility power. If the button sticks out, disconnect nonessential equipment and depress breaker.

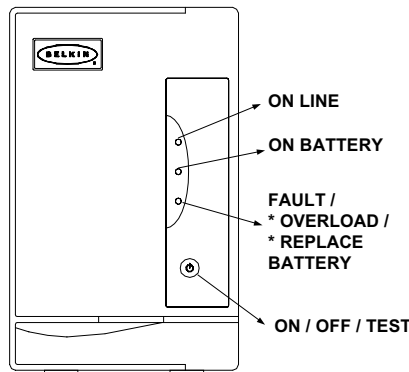
AC INPUT

Please use a 1mm² ,H05W-F 3G power cord with a plug and connector (EN 60320), rated 250V, 10A.



UPS FEATURES AND FUNCTIONS

Before installation, please inspect the UPS upon receipt. Make sure that nothing is damaged.



Your UPS features 3 LED indicators that specify certain functions on your UPS. Please review the Front Panel diagram chart, as it will assist you in the use of your UPS.

Indicator	Condition	Meaning
ON LINE (Green LED)	○ Solid Green	AC Power is on
	⚡ Flashing Green	AVR is active
ON BATTERY (Yellow LED)	⚡ Flashing Yellow LED with Audible Alarm (Beeping)	This condition for the On-Battery LED can indicate 1 of 2 problems: 1. The UPS is on battery backup and an intermittent audible alarm is on. The UPS will begin the shutdown procedure. 2. Battery is low. The UPS will start the shutdown procedure. The buzzer sounds an audible alarm.
	○ Solid Red	The Fault/Overload can indicate 1 of 2 problems. 1. There is a problem with the UPS. The LED will be lit continuously, and the unit will sound an audible alarm for 10 seconds. 2. Battery is weak or bad; the battery needs to be replaced.
FAULT / *OVERLOAD / *Replace Battery	○ Solid Red	The Fault/Overload can indicate 1 of 2 problems. 1. There is a problem with the UPS. The LED will be lit continuously, and the unit will sound an audible alarm for 10 seconds. 2. Battery is weak or bad; the battery needs to be replaced.
	⚡ Flashing RED	Battery output is drawing more power than the UPS can provide

System Requirements

The UPS can be used without the software and can be used with any computer using up to a 21" monitor or a flat panel screen. Also, you do not have to have the software installed to utilize the battery backup outlets.

To fully utilize the UPS and its software, your computer must be able to operate the following operating systems: 95/98/ME/NT4/2000/XP & Novell 3.X & Higher and have a Serial or USB port.

ALARMS

Battery BACK UP (Slow Alarm)

When the UPS is in battery BACK-UP mode, the On Battery light (Yellow LED) illuminates and the UPS sounds an audible alarm. The alarm stops when the UPS returns to normal ON LINE operation.

Low Battery (Rapid Alarm)

When the UPS is in battery BACK-UP mode and the battery energy begins to run low, the UPS will beep rapidly until it shuts down from a depleted battery or returns to ON LINE normal operation.

OVERLOAD (Continuous alarm)

When the UPS is overloaded (the connected loads exceed the maximum rated capacity), the UPS emits a continuous alarm to warn of an overload condition. Disconnect nonessential equipment from the UPS to eliminate the overload.

FAULT (10 Seconds Continuously)

When the output is shorted, the UPS emits a 10 seconds continuous alarm to warn of a short condition. Disconnect the equipment from the UPS prior to checking the equipment.

INSTALLATION

Note!

Before installation, please inspect the UPS Upon receipt. Make sure that the UPS is not damaged.



Connect to AC Utility Power

Connect the AC inlet to utility power via the power cord.



Charging the Battery

For best results, charge the battery for 6 hours prior to initial use. The UPS charges its battery whenever it is connected to the utility power. Should you see the red battery light come on, the battery may need immediate replacement

Plug in Power Devices

Plug your devices into the AC outlets on the top of the UPS. To use the UPS as a master on/off switch, make sure all of the loads are switched on.

Caution: Never connect a laser printer or scanner to the backup outlets of the UPS with other computer equipment. A laser printer or scanner draws significantly more power when in use than when idle. This may overload the UPS.



Laser Printer

Turning on the UPS

Turn on your UPS by pressing and holding the On/Off/Test button for approximately 3 seconds until the "ON LINE" Green comes on. The UPS will perform a self-test each time the UPS is switched on.

Note! The UPS maintains the battery charge when in the off position and will respond to commands received through the computer interface port.

Turning off the UPS

Turn off the UPS by pressing and holding the On/Off/Test button for more than 3 seconds until the "ON LINE" or "ON BATTERY" LED goes off.

To Conduct a Self Test

Use the self-test to verify both the operation of the UPS and the condition of the battery. In normal utility power, push the On/Off/Test button less than 2 seconds and the UPS performs a self-test function. During the self-test, the UPS operates in back-up mode.

Note! During the self-test, the UPS briefly operates on-battery backup power (the on-battery LED comes on). If the UPS passes the self-test, it returns to on-line operation. If the UPS fails the self-test, it immediately returns to on-line operation and lights the replace battery LED. The loads are not affected. Recharge the battery overnight and perform the self-test again. If the replace battery LED is still on, the battery will need to be replaced.

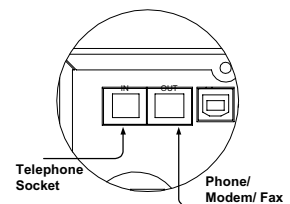
To Silence Audible Alarm

While in battery BACK-UP mode, push the on/off/test button less than 2 seconds to silence the audible alarm (this does not work if the UPS is under LOW BATTERY or OVERLOAD conditions).

All equipment must be turned off prior to hardware installation.

Connect the phone/fax/modem/network lines

Connect a single Internet/ phone/ fax/ DSL/network line into the surge-protected sockets on the back of the UPS. The RJ-11/RJ-45 modular sockets accept standard single line telephone connections. The connection will require another length of telephone cable, which is supplied.



Note! This connection is optional but highly suggested as Internet/ phone/ fax/modem/ DSL/network lines often carry dangerous surges and spikes. The UPS works properly without a phone/ fax/ modem / DSL connection.

Caution! The Internet/ phone/ fax/modem/ DSL/network protection feature could be rendered inoperable if improperly installed. Make sure that the telephone line from the wall is plugged into the connector marked "IN", and the device to be protected is plugged into the connector marked "OUT".

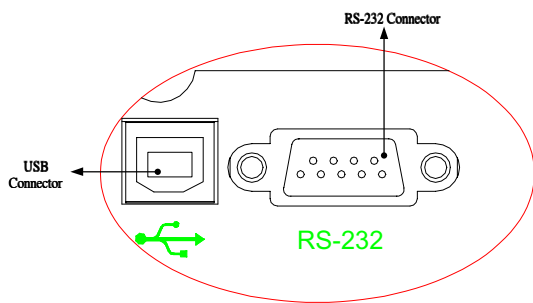
Serial or USB Communication Port (Installation Optional)

To fully utilize the Bulldog Plus Shutdown Software; you will need to connect the UPS to your computer.

The communication port will provide the following features:

1. Monitoring charger status
2. Monitoring UPS status
3. Monitoring battery status and condition
4. Monitoring the utility status
5. Use the ON/OFF/TEST UPS power switch function to schedule UPS for power saving

You may connect the UPS to your computer by choosing either the Serial or USB ports. **Note: Choose one port only. Do not connect your computer through both ports.**



Using the serial or USB cable (provided), connect the cable to your UPS then connect the other end to the USB port on your computer.

Caution: Use only the factory-supplied UPS monitoring cable.

USB : HID Windows Setup Procedure

- When the USB cable is first connected to a USB port on your computer, the Windows® 98 dialog called ADD NEW HARDWARE WIZARD should automatically appear. (To display this dialog manually, click the START button and choose SETTINGS to access the control panel, and double-click on ADD NEW HARDWARE.)
- The ADD NEW HARDWARE WIZARD will guide you through the installation process. Click Next.
- A dialog states, "Windows will now search for any new Plug-and-Play devices on your system." Click Next.
- A subsequent dialog gives you these options: "Search for the best driver for your device (recommended) and display a list of all drivers in specific location." This enables you to select the driver you want. Please accept the recommended choice by clicking NEXT.
- The Wizard will then search your hard drive for a file called "INF\hiddev.inf". This file contains all the information that Windows® OS needs to install the correct device drivers.
- The wizard might ask for the Windows OS CD-ROM. Place the CD into the CD-ROM drive & select OK.
- The installation process will continue to run until a dialog display shows that the drivers have been installed. Select the FINISH button and your drivers are installed.

Software Installation (Installation Optional)

To fully utilize the UPS and its software, your computer must be able to operate the following operating systems: 95/98/ME/NT4/2000/XP & Linux and have a USB or RS232 port.

Your UPS features the Bulldog Shutdown Software. This allows you to protect and save your data should a power outage occur, as well as safely shutdown your computer in your absence. This software is compatible with Windows 95/98/ME/NT4/2000/XP and Linux.

- To install the software, please place the CD into the CD drive of your computer.
- Your computer should automatically run the CD. If this does not occur, go to the Run feature on your Start icon (lower left corner) on your screen. Please enter the CD drive, it may be D:. Should you continue to have a problem, please refer to your computer's owner's manual for the correct drive. Upon entering the drive run setup.exe. to execute installation of the software.
- The InstallShield Wizard will appear onscreen, click Next.
- Please read the License Agreement and click Yes.
- On Setup Type, ALL (Standalone) is the default. Standalone is for UPS management for your computer only. Networking management is for administrators who need to manage several UPSes in a workstation environment. You should not install the networking files unless you are technically qualified to use these features. For more information on networking, please refer to the software user's manual.
- On Choose Destination, you have the option to choose the location of where you would like the Software located on your computer. We recommend using the default option as shown on screen. To use the default option, click Next.
- On Select Program Folder, you have the option to choose the program folder for you Software. We recommend using the default option as shown on screen. To use the default option, click Next.
- On the Select Language screen, please select your language choice.
- The software will now be installed. Once completed, please click Finish.
- Please refer to the help feature found on the Belkin On-line Screen. To access this screen, please click the Belkin shield found in the lower right corner on your task bar of your screen.
- Once the Belkin On-line screen appears, choose help. The Bulldog Online Help screen will appear. You may use the Contents, Index or Search tabs to assist you with your help issues and to get more information on the specific features and functions of the software.

Uninstall for Windows 95/98/Me/NT4/2000/XP

There are 2 options to uninstall the Shutdown Software.

Option 1

- Click the Start icon in the lower left hand corner of your screen and goto the Programs folder. Scroll to the Belkin Bulldog Plus folder and choose setup. Install Wizard will appear.
- Choose Remove and click Next.
- The Program Files and Audio Files should be checked. If they are not, please check them. Click Next. The uninstall procedure will begin.
- Click Finish when complete.

Option 2

(Note: Windows XP users, choose the Control panel function from your Start icon and then goto to step 2.)

- Click the Start icon in the lower left hand corner of your screen and goto the Settings icon. Goto and choose the

- Control Panel folder. The Control Panel window will appear.
- Locate and click the Add/Remove Programs icon. The Add/Remove Programs window will appear.
- Locate and choose the Belkin Bulldog Plus software. Click the Change/Remove button on the right. Install Wizard will appear.
- Choose Remove and click Next.
- The Program Files and Audio Files should be checked. If they are not, please check them. Click Next. The uninstall procedure will begin.
- Click Finish when complete.

Please visit belkin.com for the latest software upgrades and information on your Belkin UPS.

TECHNICAL SPECIFICATIONS

MODEL	F6C800ukUNV	F6C100ukUNV	F6C120ukUNV
INPUT	Capacity	800VA /450W	1000VA / 550W
	Voltage Range	187-264Vac	
	Frequency	50/60HZ (±3HZ)	
OUTPUT	Voltage	I/P Voltage :213-264Vac ; O/P Voltage :follow I/P Voltage	
		I/P Voltage :187-213Vac ; O/P Voltage : 206-238Vac	
		I/P Voltage : < 187Vac or > 264Vac O/P Voltage : Simulated sine wave, 230Vac ±5 %	
Frequency (on battery)	50/60HZ (±1HZ)		
BATTERY	Back up time Full / half load	3-8 min	3-7 min
	Typical Recharge Time	≤ 12hours recover 85% capacity	
ENVIRONMENT	Ambient operation	0-85% humidity non-condensing, 0-35°C	
CONFORMANCE	Safety	CE, BS EN50091	
	EMI/ RFI	CISPR22 class B	
PHYSICAL	Dimension (W X D X H)	120mm X 300mm X 190mm (4.72" X 11.81" X 7.48")	
	Net weight	11.5KGS/25.3LBS	12.5KGS/27.5LBS

All specifications are subject to change without prior notice.

STORAGE

Storage Conditions

Store the UPS covered and upright in a cool, dry location with its battery fully charged. Before storing, charge the UPS for at least four hours. Disconnect any cables connected to the computer interface port to avoid unnecessary drainage of the battery.

Extended Storage

During extended storage in environments where the ambient temperature is +5°F to +86°F, charge the UPS battery every six months. During extended storage in environments where the ambient temperature is +86°F to +113°F, charge the UPS battery every three months.

Note:



Away from sunlight



Away from heat



Away from water

Belkin Components User License Agreement

Belkin Components (Belkin™) thanks you for choosing one of our products.

This User License Agreement (Agreement) contains the terms and conditions under which limited use of the product is licensed to you. PLEASE READ THIS NOTICE CAREFULLY. DO NOT USE THE SOFTWARE OR PRODUCT UNTIL YOU HAVE READ AND AGREED TO THIS AGREEMENT. IF YOU USE THE SOFTWARE AND PRODUCT, YOU ARE AGREEING TO THE TERMS AND CONDITIONS SET OUT IN THIS AGREEMENT. IF YOU DO NOT ACCEPT THESE TERMS AND CONDITIONS, YOU MUST RETURN THE UNOPENED PRODUCT WITH THE DISKS INSIDE TO THE PARTY FROM WHOM YOU RECEIVED IT.

SCOPE OF USE: In this Agreement, software means all machine-readable software programs and associated files in this package. All modified versions of and upgrades or improvements to such programs and all copies of such programs and files. You, a single user opening this envelope (You or our), may use the software on a single central processing unit. You may not rent it, loan it out, or lease it, nor use it on a multi-user system.

LICENSE: You have the non-exclusive right to use the software. You are not permitted to copy, modify or transfer the software or documentation. You may not compile, disassemble or otherwise reverse engineer, breakdown, analyze or modify the software.

USE AND RESTRICTIONS: You are permitted to make backup copies of all the software disks for archival purposes only. You must reproduce the proprietary notice set forth on the disks and affix them to all backup copies. You are not permitted to use these programs in connection with a computer service, or to use the backup copies other than as a replacement for the original copy.

TERM: This license is effective upon acceptance by opening this envelope or in any other way using the enclosed software, which will constitute your acceptance of, and agreement to, this Agreement, and is effective until terminated. The limited license in this Agreement will be automatically terminated if you fail to comply with any of the Terms and conditions in this Agreement. You agree that upon such termination you will immediately destroy all programs and documentation, including all copies made or obtained by you.

SOFTWARE, PROGRAM, DOCUMENTATION, AND ANY RELATED INFORMATION, GOODS OR SERVICES ARE PROVIDED WITH NO WARRANTY OR REPRESENTATION OF ANY KIND WHATSOEVER. BELKIN HEREBY DISCLAIMS ALL OTHER WARRANTIES, EXPRESS OR IMPLIED, INCLUDING BUT NOT LIMITED TO THE IMPLIED WARRANTIES OF MERCHANTABILITY AND FITNESS FOR A PARTICULAR PURPOSE. The entire risk of the use, results and performance of the software, program and documentation is borne by you. Should any or all of the product, software, program, documentation, or related information, goods or services be defective, misused, unsuitable or cause or give rise to any harm or liability whatsoever, you, not Belkin or its associates, dealers or agents, assume the entire liability, cost of repair, correction or any payment or other remedy whatsoever. Furthermore, no warranty or guarantee is made regarding the

use or results of the product, software, program, documentation, or any related information, goods or services in terms of correctness, accuracy, reliability, timeliness or otherwise. You use and rely on the program at your own risk. The following is the only and exclusive warranty and remedy of any kind: Belkin does warrant that the program disks are free from physical defects in materials and workmanship under normal use for a period of one (1) year from the date of purchase, as evidenced by a copy of the sales receipt. Return the defective disk or documentation with your receipt directly to Belkin for a replacement.

DISCLAIMER: Belkin or its associates will in no event be liable (i) in any amount for lost profits or special, incidental, punitive or consequential damages, or (ii) for any claim or damage of any nature, or under any theory, whatsoever, in any amount in excess of the purchase price you paid for the product. The warranties and remedies here set forth are exclusive, and in lieu of all others oral or written, express or implied. Some jurisdictions do not allow exclusion or limitation of implied warranties or of liability for incidental damages, so the foregoing limitations or exclusion may not apply to you. This warranty gives you specific legal rights, which vary from jurisdiction to jurisdiction.

HOWEVER, YOU WAIVE SUCH RIGHTS, EXCEPT AS EXPRESSLY PROVIDED UNDER THE TERMS AND CONDITIONS OF THIS AGREEMENT, TO THE MAXIMUM EXTENT ALLOWED BY LAW.

The license is governed by the laws prevailing in the State of New York, without regard to its conflicts of laws principles.

ACKNOWLEDGMENT:

By opening the package on which this Agreement is printed, or through which it is visible, you acknowledge that you have read this Agreement, understand it, and agree that this agreement is the complete and exclusive statement of agreement between yourself and Belkin and supersedes any prior agreements, oral or written, and any other communications relating to the subject matter of this Agreement.

SEVERABILITY:

Any term or provision of this Agreement or any application thereof, which may be prohibited or unenforceable by law in a particular jurisdiction, shall be interpreted and enforced to the maximum extent allowed in such jurisdiction (which the parties acknowledge could mean severing the provision from this Agreement or, if allowed, enforcing it in a narrower form), without affecting the remainder of this Agreement, or any other application of such term or provision in such jurisdiction, or application of such term or provision in any jurisdiction.

Safety Information

CAUTION!

- Internal battery voltage is 12V DC.
- The unit is intended for installation in a controlled environment (temperature controlled, indoor area free of conductive contaminants).
- All batteries used are Sealed Lead Batteries. Batteries must be recycled.

Recycling Information

Your UPS contains a Non-spillable Sealed Lead Battery. On the battery, you will find the battery name. Please reference the chart below for recycling information.

Battery Name	Recycling Inside the USA	Recycling Outside the USA
BB Battery	(800) 278-8599	N/A
CSB Battery	(800) 738-7372	1 (817) 244-4415
VISION Battery	(973) 726-5323	N/A
RITAR Battery	(888) 841-5179	N/A

CONTACT US

Belkin Components, Ltd 501 West Walnut St. Compton, CA • 90220-5221 USA Tel: 310.898.1100 Fax: 310.898.1111	Belkin Components, Ltd. Express Business Park • Shipton Way • Rushden • NN10 6GL • United Kingdom Tel : +44 (0) 1933 35 2000 Fax : +44 (0) 1933 31 2000
Belkin Components B.V. Starpark Building Boeing Avenue 333 1119 PH Schiphol-Rijk The Netherlands Tel: +31 (0) 20 654 73 00 Fax: +31 (0) 20 654 73 49	Belkin Australia Ltd 7 Bowen Crescent West Gosford, NSW 2250 Tel: +61 (02) 4325 4666 Fax: +61 (02) 4325 4277

Please visit www.Belkin.com for battery replacement information.

TROUBLE SHOOTING

PROBLEM	POSSIBLE CAUSE	SOLUTION
UPS not on, LED not lit	On/ Off /Test button not pushed or pushed less than 3 second	Press the On/Off /Test button for more than 3 seconds
	Battery voltage is too low	Recharge the UPS at least four hours
	UPS fault	Contact service personnel
UPS always on battery mode	Power cord loose	Re-plug the power cord
	AC breaker is burned out or tripped	Replace or reset the breaker
	AC utility voltage is too high or too low, or black out	Normal condition
Back up time too short	Battery not fully charged	Recharge the UPS at least four hours
	UPS is overloaded	Remove some un-necessary loads
	Charger fault or other reason	Replace battery. Contact belkin.com
The UPS continuously beeps	Overload	Remove the non-critical loads
Red LED lit	Battery failure	Replace battery. Contact belkin.com