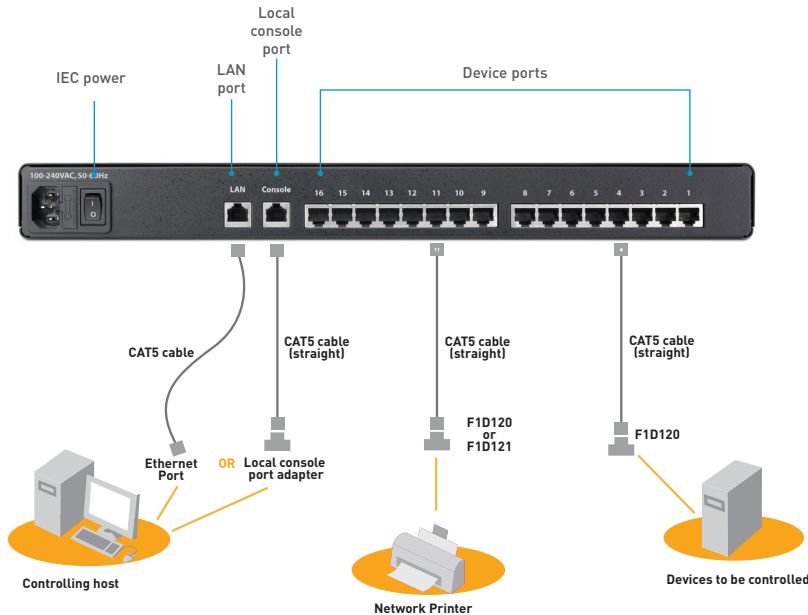




Securely control up to 16 serial devices from anywhere you have IP access

The OmniView Serial Console Server offers remote, reliable, and secure access for your serial devices across networks. Easy to use, the Console Server allows administrators to connect to serial devices through in-band networks and out-of-band connections using SSL and SSHv2. This 16-Port Serial Console Server can be used to control power distribution units, firewalls, routers, printers, PBX, POS, or any other equipment with serial interfaces. Management tools, including an intuitive GUI, Java, and web-browser access, are provided to help administrators stay in control of equipment connected to the Console Server.

Back View



The Serial Console Server features:

- Data-path security by means of SSH or Web/SSL
- A secure, encrypted web interface over SSL (HTTPS)
- SSHv2 encryption, to keep server-access passwords safe from intrusion
- Support for all popular SSH clients
- Secure access from any Java-enabled browser
- Connections to serial-console ports using standard CAT5 cables, eliminating the hassles of custom cabling

Specifications

Model No.	F1DP116S
No. of Users Supported	1
No. of Serial Devices Supported	16
Dimensions	17.0 x 7.1 x 1.7 in. (43.2cm x 18.0cm x 4.2cm)
Weight	4.9 lbs. (2.22kg.)
Enclosure	Metal with high-impact plastic faceplate
Specifications	
Serial Interface	RJ45F – DB9F DTE; RJ45F – DB25F DTE; RJ45F – DB25M DCE; RJ45F – DB25M DTE; RJ45F – RJ45M CISCO
LAN Interface	RJ45 Connector IEEE 802.3 – 10/100BaseT
Port Function – Operation Modes	Console server; Terminal server; Serial-to-serial (16-port only)
Protocols	TCP, UDP, IP, ARP, ICMP, HTTP/HTTPS, Telnet, DHCP/BOOTP, PPP, SMTP, DNS, NTP Dynamic DNS
Security	Password access; IP filtering; SSHv2; HTTPS/SSL
Authentication	Local User Database; PAP/CHAP (For modem dial-in); RADIUS
User Web Interface	Full-featured system status
Certifications	CE, FCC, UL
Power/Environment	
Power Requirements	AC Input (100 ~ 240VAC, 50 ~ 60Hz)
Operating Temperature	14° to 176° F (-10 to 80° C)
Storage Temperature	-4° to 185° F (-20 to 85° C)
Humidity	0-90% RH, non-condensing
Warranty	
3 years	

Note: Specifications are subject to change without notice.

Package Contents

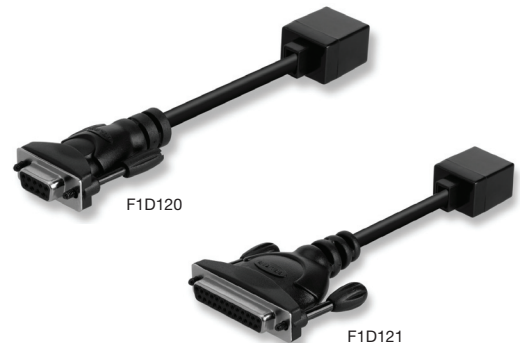
- OmniView Serial Console Server
- AC Power Cord
- Serial-to-RJ45 Adapter Kits (5 pcs)
- Local Console Port Serial Adapter
- Footpad Set
- 6 ft. RJ45-RJ45 CAT5 Cable
- Quick-Start Guide
- User Manual CD
- Rack-Mount Brackets and Screws

Serial Adapters*

- F1D120 (RJ45F-DB9F DTE)**
- F1D121 (RJ45F-DB25F DTE)
- F1D122 (RJ45F-DB25M DCE)
- F1D123 (RJ45F-DB25M DTE)
- F1D124 (RJ45F-RJ45M CISCO)**

*Serial adapters available for purchase

**Available in 8-packs



Part Number	Description	UPC
F1DP116S	OmniView Serial Console Server	7-22868-65245-9